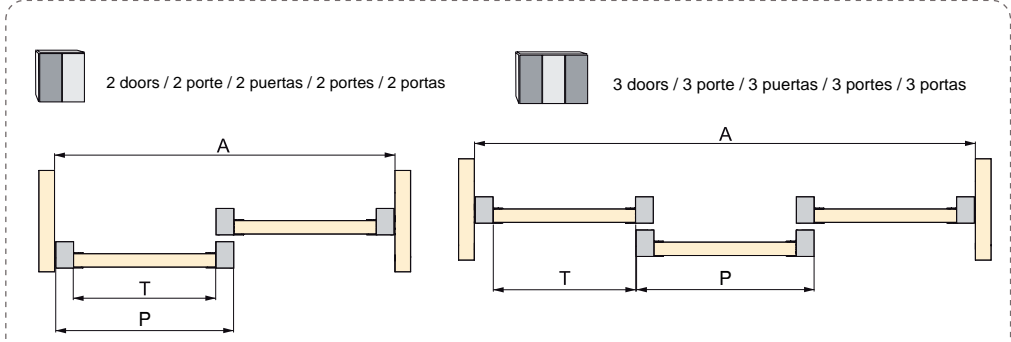
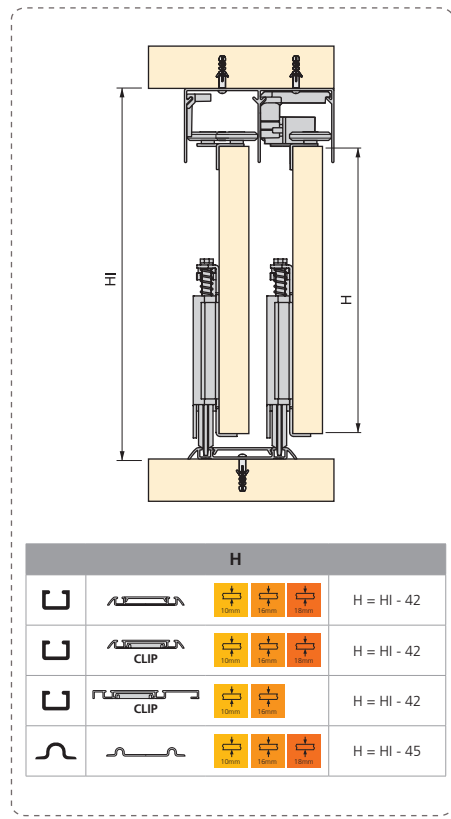
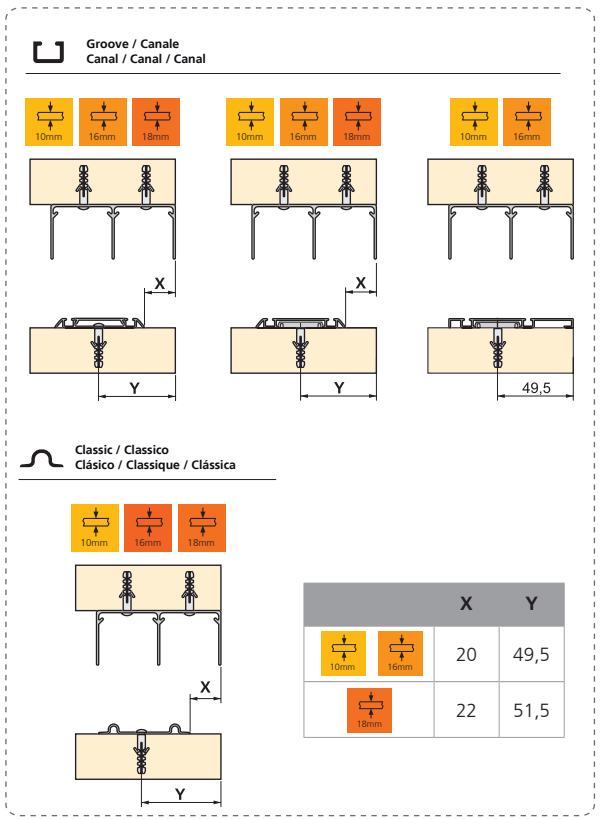
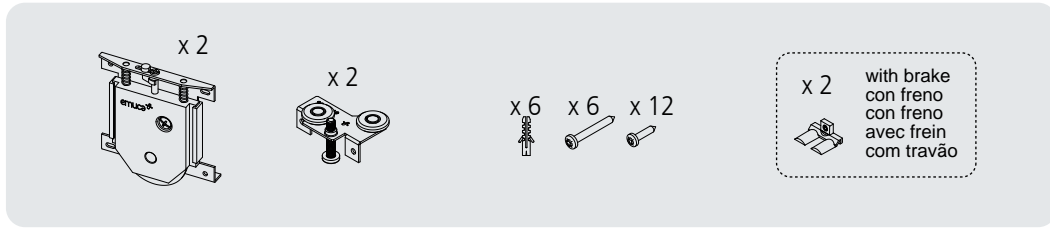


PLACARD 81

Groove / Canale / Canal / Canal / Canal

Classic / Classico / Clásico / Classique / Clássica



Style		$T = \frac{A + 16}{2}$	$T = \frac{A + 35}{3}$	$P = \frac{A + 22}{2}$	$P = \frac{A + 44}{3}$
Wave		$T = \frac{A - 64}{2}$	$T = \frac{A - 86}{3}$	$P = \frac{A + 20}{2}$	$P = \frac{A + 40}{3}$
Slight		$T = \frac{A - 42}{2}$	$T = \frac{A - 52}{3}$	$P = \frac{A + 28}{2}$	$P = \frac{A + 53}{3}$
Sharp		$T = \frac{A - 45}{2}$	$T = \frac{A - 60}{3}$	$P = \frac{A + 15}{2}$	$P = \frac{A + 15}{3}$
Quad		$T = \frac{A - 105}{2}$	$T = \frac{A - 140}{3}$	$P = \frac{A + 35}{2}$	$P = \frac{A + 70}{3}$
Tri		$T = \frac{A - 45}{2}$	$T = \frac{A - 60}{3}$	$P = \frac{A + 15}{2}$	$P = \frac{A + 30}{3}$



EMUCA, S.A.
Valencia (España)
T. +34 96 166 70 19
F. +34 96 166 71 82



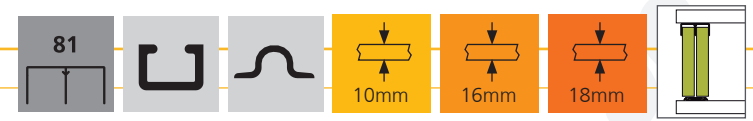
EMUCA, S.R.L.
Padova (Italy)
T. +39 049 8702800
F. +39 049 8703019



EMUCA, Ltd.
Chelmsford ESSEX (UK)
T. +44 1268 530674
F. +44 1268 828592

EMUCA, S.A.R.L.
Nantes (France)
T. +33 2 49 88 07 35
F. +33 2 72 22 02 24

EMUCA, Lda.
Lisboa (Portugal)
T. +351 211 203 940
F. +34 96 166 71 82



PLACARD 81

